

# VX series

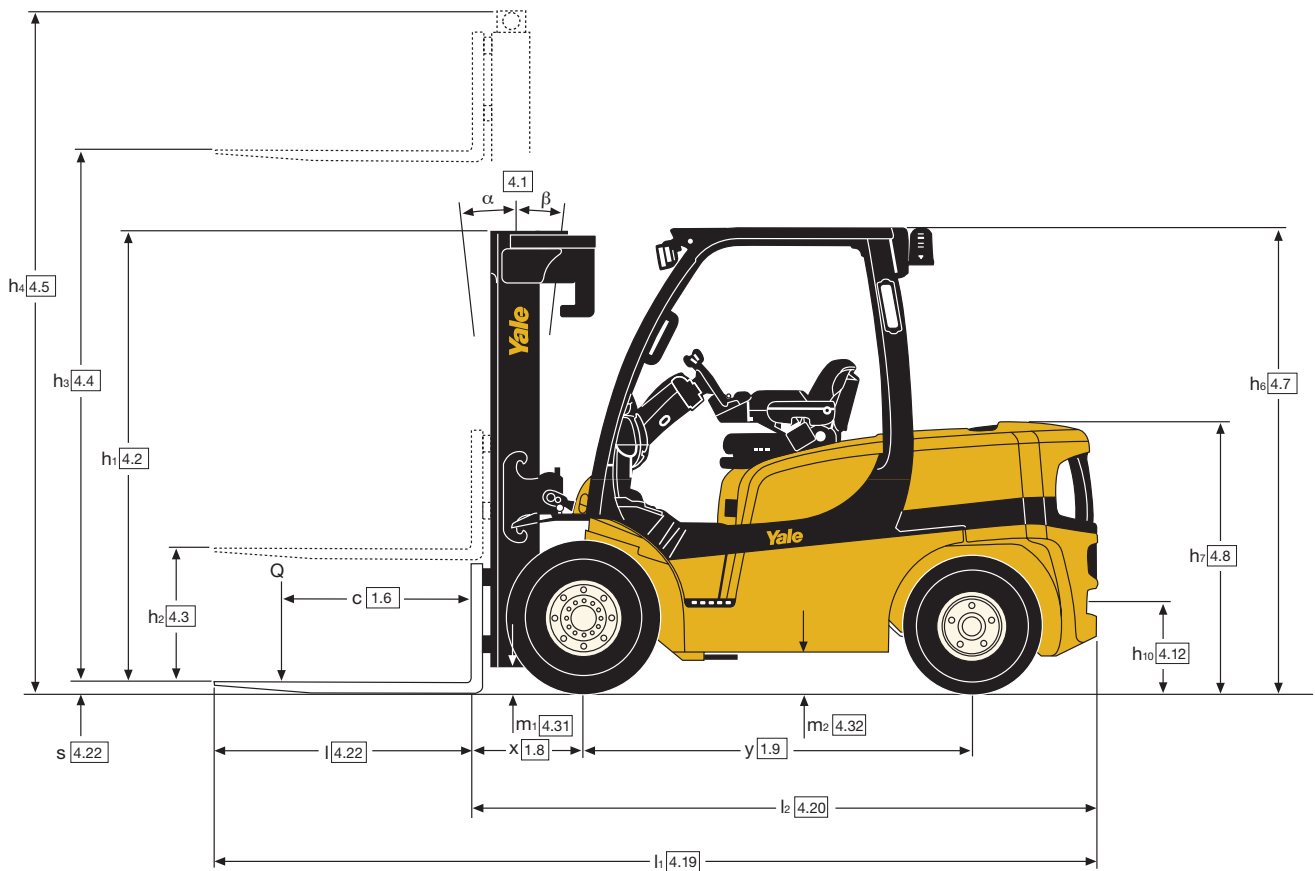
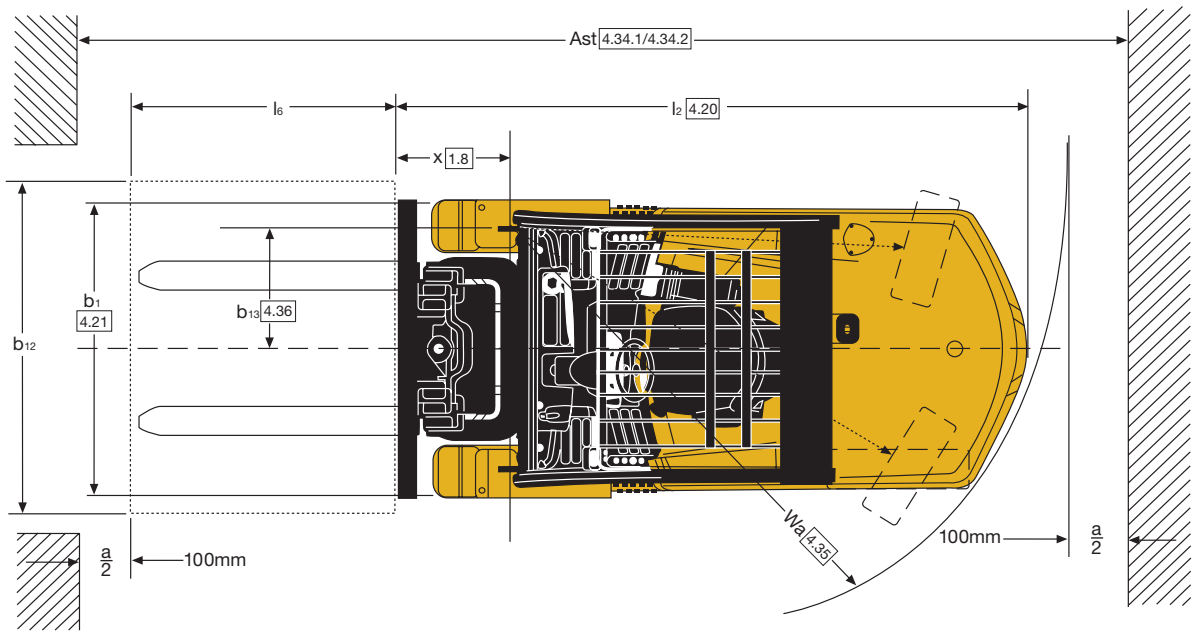
4,000kg / 4,500kg / 5,000kg / 5,500kg

## Diesel Forklift Trucks



- Intellix Vehicle Management System with CAN bus technology
- 2 application matched Techtronix transmissions
- Oil immersed brakes
- ADS - Auto Deceleration System on Techtronix 100 and 200 transmission
- Controlled roll-back
- AccuTouch mini-lever and manual levers
- Load Sensing Hydraulics available with AccuTouch mini levers
- Superelastic and pneumatic radial tyres

## Truck Dimensions



## Engine Specifications

### Diesel Engine Specification

Engine	Kubota V3800 E4 StageV Compliant with Diesel Oxidisation Catalyst (DOC) or Diesel Particulate Filter (DPF) as standard
Cylinders	In line 4
Displacement	3.8 litre
Power	55.0kW @ 2,200rpm
Torque	309.0Nm @ 1,400rpm

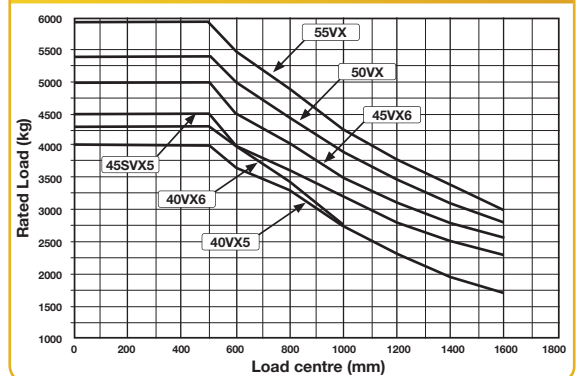
## Options

- Powertrain protection system
- Premium monitoring package
- Hydraulic Accumulator, recommended for use with clamping attachments
- Keyless start (with Passcode access)
- Traction speed limiter
- Swing-out, drop-down EZ-Tank bracket
- Right hand armrest incorporating AccuTouch™ mini-lever electrohydraulic controls, direction switch and horn button
- Return-to-set tilt
- Swivel full suspension seat
- Foot directional control
- Operator password
- Mirrors - dual side view
- Alarm-reverse actuated 82-102dB(A) - self adjusting
- Amber strobe light - continuous activated
- Impact monitor
- Paper applications kits
- 4 function (2 aux) hydraulic control valve
- Load weight indicator
- Cabin and Air Conditioned Cabin
- Partial Cabins
- Lowered Overhead Guard and Cabin
- Yale Vision Telemetry System

## Capacities table - Standard carriage

Load centre	GDP40VX5	GDP40VX6	GDP45SVX5	GDP45VX6	GDP50VX	GDP55VX
mm	kg	kg	kg	kg	kg	kg
0	4000	4300	4500	5000	5400	5950
200	4000	4300	4500	5000	5400	5950
500	4000	4300	4500	5000	5400	5950
600	3670	4000	4000	4500	5000	5500
800	3310	3450	3610	4030	4460	4900
1000	2760	2760	3150	3520	3900	4280
1200	2300	2300	2800	3130	3460	3800
1400	1970	1970	2520	2810	3110	3420
1600	1720	1720	2290	2560	2830	3000

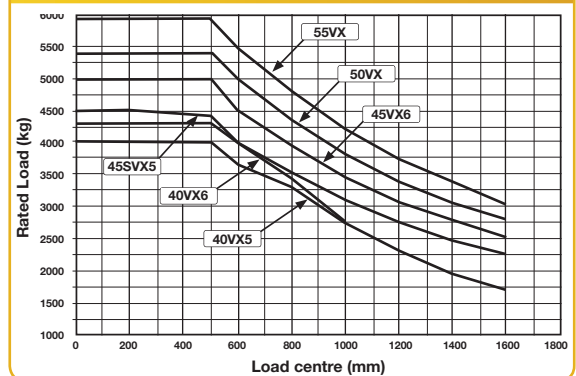
## Capacities graph - Standard carriage



## Capacities table - ISS

Load centre	GDP40VX5	GDP40VX6	GDP45SVX5	GDP45VX6	GDP50VX	GDP55VX
mm	kg	kg	kg	kg	kg	kg
0	4000	4300	4500	5000	5400	5950
200	4000	4300	4500	5000	5400	5950
500	4000	4300	4440	4970	5400	5950
600	3670	4000	4000	4500	5000	5500
800	3320	3450	3500	3920	4340	4770
1000	2760	2760	3070	3430	3800	4180
1200	2300	2300	2730	3050	3380	3720
1400	1970	1970	2460	2750	3050	3350
1600	1720	1720	2240	2500	2770	3000

## Capacities graph - ISS



## Powertrains

Combustion engine	1.3	Drive: electric (battery or mains), diesel, petrol, fuel gas		Diesel
	7.1	Engine manufacturer/type		Kubota V3800 DICR-T-E4
	7.2	Engine power according to ISO 1585	kW	55
	7.3	Rated speed	min-1	2200
	7.3.1	Torque at 1/min	Nm/min-1	300 / 1400
	7.4	Number of cylinders/displacement	cm3	4 / 3769
	7.10	Battery voltage/nominal capacity ✓	(V)/(Ah)	12 / 105
Drive mechanism	8.1	Type of drive unit		Hydrodynamic
	8.2	Manufacturer/type		NMHG/Electronic
	8.6	Wheel drive/drive axle manufacturer/type		Dana/WBA
	8.11	Service brake		Multi Disc Brake
	8.12	Parking brake		Multi Disc Brake

✓ Battery ampere hour (Ah) nominal capacity ratings are estimated.

### GDP 40VX5, GDP 40VX6 Mast details and capacity ratings (kg) - Superelastic tyres

Model								GDP 40 VX5						GDP 40 VX6			
Tyre size, front								250 x 15						250 x 15			
Overall width, front								1402mm						1402mm			
Mast	h <sub>1</sub> (mm)	h <sub>2+s</sub> (mm)	h <sub>3+s</sub> (mm)	h <sub>4</sub> (mm) <sup>(1)</sup>	h <sub>4</sub> (mm) <sup>(2)</sup>	Tilt		Forks			Integral Sideshift			Forks		Integral Sideshift	
						F	B	Load centre (kg)			Load centre (kg)			Load centre (kg)		Load centre (kg)	
								500	600	700	500	600	700	600	700	600	700
2 Stage LFL	2175	150	3050	3815	4300	6	10	4000	3670	3580	4000	3670	3470	4000	3890	4000	3770
	2475	150	3650	4415	4900	6	10	4000	3670	3570	4000	3670	3460	4000	3870	4000	3750
	2775	150	4250	5015	5500	6	10	4000	3670	3550	4000	3670	3440	4000	3860	4000	3740
	3225	150	4950	5715	6200	6	6	3880	3560	3430	3880	3560	3320	3890	3720	3890	3610
2 Stage FFL	2175	1355	3075	3890	4325	6	10	4000	3670	3450	4000	3670	3400	4000	3750	4000	3690
	2475	1655	3675	4490	4925	6	10	4000	3670	3440	4000	3650	3380	4000	3730	3990	3670
3 Stage FFL	2175	1355	4415	5225	5665	6	6	4000	3670	3430	3970	3630	3350	4000	3720	3950	3640
	2375	1555	4950	5765	6200	6	6	3880	3560	3310	3840	3510	3230	3880	3600	3820	3520
	2475	1655	5250	6065	6500	6	6	3800	3490	3240	3760	3440	3170	3810	3530	3740	3450
	2575	1755	5550	6365	6800	6	6	3730	3420	3170	3670	3360	3090	3740	3450	3660	3370
	2775	1955	6000	6815	7250	6	6	3600	3290	3050	3530	3230	2980	3620	3330	3530	3250

<sup>(1)</sup> Without load backrest. <sup>(2)</sup> With load backrest. Specification data based on standard carriage, load backrest, and 1000mm (GDP40 VX5) / 1200mm (GDP 40VX6 - GDP 55VX) forks.

### GDP 45SVX5, GDP 45VX6 Mast details and capacity ratings (kg) - Superelastic tyres

Model								GDP 45 SVX5						GDP 45 VX6			
Tyre size, front								250 x 15						300 x 15			
Overall width, front								1402mm						1450mm			
Mast	h <sub>1</sub> (mm)	h <sub>2+s</sub> (mm)	h <sub>3+s</sub> (mm)	h <sub>4</sub> (mm) <sup>(1)</sup>	h <sub>4</sub> (mm) <sup>(2)</sup>	Tilt		Forks			Integral Sideshift			Forks		Integral Sideshift	
						F	B	Load centre (kg)			Load centre (kg)			Load centre (kg)		Load centre (kg)	
								500	600	700	500	600	700	600	700	600	700
2 Stage LFL	2215	160	2800	3730	4065	6	10	4500	4000	3890	4440	4000	3770	4500	4340	4500	4210
	2515	160	3400	4330	4665	6	10	4500	4000	3870	4420	4000	3750	4500	4330	4500	4200
	2815	160	4000	4930	5265	6	10	4500	4000	3860	4410	4000	3740	4500	4310	4500	4180
	3265	160	4700	5630	5965	6	6	4380	3900	3730	4260	3900	3620	4390	4180	4390	4060
	3665	160	5300	6230	6565	6	6	4230	3760	3580	4090	3750	3470	4250	4030	4230	3910
	4065	160	5900	6830	7165	6	6	4040	3620	3420	3900	3580	3310	4100	3860	4050	3740
2 Stage FFL	2215	1230	2825	3810	4090	6	10	4500	4000	3860	4410	4000	3740	4500	4310	4500	4180
	2515	1530	3425	4410	4690	6	10	4500	4000	3840	4390	4000	3720	4500	4290	4500	4170
3 Stage FFL	2215	1230	4145	5130	5415	6	6	4500	4000	3820	4370	4000	3700	4500	4270	4490	4150
	2515	1530	5000	5985	6265	6	6	4300	3820	3630	4150	3810	3520	4310	4080	4290	3960
	2615	1630	5300	6285	6565	6	6	4210	3750	3560	4070	3730	3450	4240	4000	4210	3890

<sup>(1)</sup> Without load backrest. <sup>(2)</sup> With load backrest. Specification data based on standard carriage, load backrest, and 1000mm (GDP40 VX5) / 1200mm (GDP 40VX6 - GDP 55VX) forks.

### GDP 50VX, GDP 55VX Mast details and capacity ratings (kg) - Superelastic tyres

Model								GDP 50 VX				GDP 55 VX			
Tyre size, front								300 x 15				300 x 15			
Overall width, front								1450mm				1450mm			
Mast	h <sub>1</sub> (mm)	h <sub>2+s</sub> (mm)	h <sub>3+s</sub> (mm)	h <sub>4</sub> (mm) <sup>(1)</sup>	h <sub>4</sub> (mm) <sup>(2)</sup>	Tilt		Forks		Integral Sideshift		Forks		Integral Sideshift	
						F	B	Load centre (kg)		Load centre (kg)		Load centre (kg)		Load centre (kg)	
								600	700	600	700	600	700	600	700
2 Stage LFL	2215	160	2800	3730	4065	6	10	5000	4810	5000	4670	5500	5280	5500	5130
	2515	160	3400	4330	4665	6	10	5000	4790	5000	4650	5500	5260	5500	5120
	2815	160	4000	4930	5265	6	10	5000	4780	5000	4640	5500	5250	5500	5100
	3265	160	4700	5630	5965	6	6	4890	4640	4880	4510	5380	5110	5370	4970
	3665	160	5300	6230	6565	6	6	4740	4480	4700	4350	5230	4940	5190	4800
	4065	160	5900	6830	7165	6	6	4570	4300	4520	4170	5050	4750	5000	4620
2 Stage FFL	2215	1230	2825	3810	4090	6	10	5000	4770	5000	4640	5500	5250	5500	5100
	2515	1530	3425	4410	4690	6	10	5000	4760	5000	4620	5500	5230	5500	5080
3 Stage FFL	2215	1230	4145	5130	5415	6	6	5000	4740	4990	4610	5500	5210	5490	5070
	2515	1530	5000	5985	6265	6	6	4800	4530	4770	4410	5290	5000	5260	4860
	2615	1630	5300	6285	6565	6	6	4730	4450	4690	4330	5210	4920	5170	4780

<sup>(1)</sup> Without load backrest. <sup>(2)</sup> With load backrest. Specification data based on standard carriage, load backrest, and 1000mm (GDP40 VX5) / 1200mm (GDP 40VX6 - GDP 55VX) forks.

## GDP 40VX5, GDP 40VX6 Mast details and capacity ratings (kg) - Pneumatic radial tyres

Model								GDP 40 VX5						GDP 40 VX6			
Tyre size, front								250 x R15						250 x R15			
Overall width, front								1402mm						1402mm			
Mast	h <sub>1</sub> (mm)	h <sub>2+s</sub> (mm)	h <sub>3+s</sub> (mm)	h <sub>4</sub> (mm) <sup>(1)</sup>	h <sub>4</sub> (mm) <sup>(2)</sup>	Tilt		Forks			Integral Sideshift			Forks		Integral Sideshift	
								Load centre (kg)			Load centre (kg)			Load centre (kg)		Load centre (kg)	
						F	B	500	600	700	500	600	700	600	700	600	700
2 Stage LFL	2175	150	3050	3815	4300	6	10	4000	3670	3580	4000	3670	3470	4000	3890	4000	3770
	2475	150	3650	4415	4900	6	10	4000	3670	3570	4000	3670	3460	4000	3870	4000	3750
	2775	150	4250	5015	5500	6	10	4000	3670	3550	4000	3670	3440	4000	3860	4000	3740
	3225	150	4950	5715	6200	6	6	3880	3560	3420	3880	3560	3320	3890	3720	3890	3610
2 Stage FFL	2175	1355	3075	3890	4325	6	10	4000	3670	3450	4000	3670	3400	4000	3750	4000	3690
	2475	1655	3675	4490	4925	6	10	4000	3670	3440	4000	3670	3380	4000	3730	3990	3670
3 Stage FFL	2175	1355	4415	5225	5665	6	6	4000	3670	3430	3970	3630	3350	4000	3720	3950	3640
	2375	1555	4950	5765	6200	6	6	3870*	3550*	3310*	3830*	3510*	3230*	3880*	3600*	3820*	3520*
	2475	1655	5250	6065	6500	6	6	3800*	3490*	3230*	3750*	3430*	3160*	3810*	3520*	3740*	3440*
	2575	1755	5550	6365	6800	6	6	3730**	3420**	3170**	3670**	3360**	3090**	3740**	3450**	3660**	3370**
	2775	1955	6000	6815	7250	6	6	3600**	3310**	3050**	3530**	3230**	2980**	3620**	3330**	3530**	3250**

<sup>(1)</sup> Without load backrest. <sup>(2)</sup> With load backrest. \* Wide Tread or Dual Drive Wheels Required. \*\* Dual Drive Wheels Required. Specification data based on standard carriage, load backrest, and 1000mm (GDP40VX5) / 1200mm (GDP 40VX6 - GDP 55VX) forks.

## GDP 45SVX5, GDP 45VX6 Mast details and capacity ratings (kg) - Pneumatic radial tyres

Model								GDP 45 SVX5						GDP 45 VX6			
Tyre size, front								250/70 x R15						315/70 x R15			
Overall width, front								1402mm						1450mm			
Mast	h <sub>1</sub> (mm)	h <sub>2+s</sub> (mm)	h <sub>3+s</sub> (mm)	h <sub>4</sub> (mm) <sup>(1)</sup>	h <sub>4</sub> (mm) <sup>(2)</sup>	Tilt		Forks			Integral Sideshift			Forks		Integral Sideshift	
								Load centre (kg)			Load centre (kg)			Load centre (kg)		Load centre (kg)	
						F	B	500	600	700	500	600	700	600	700	600	700
2 Stage LFL	2215	160	2800	3730	4065	6	10	4500	4000	3890	4440	4000	3770	4500	4340	4500	4210
	2515	160	3400	4330	4665	6	10	4500	4000	3870	4420	4000	3750	4500	4330	4500	4200
	2815	160	4000	4930	5265	6	10	4500	4000	3860	4410	4000	3740	4500	4310	4500	4180
	3265	160	4700	5630	5965	6	6	4380	3890	3730	4260	3890	3610	4390	4180	4390	4060
	3665	160	5300	6230	6565	6	6	4230*	3760*	3570*	4080*	3750*	3460*	4240*	4020*	4220*	3900*
	4065	160	5900	6830	7165	6	6	4040**	3610**	3410**	3900**	3580**	3310**	4080*	3840*	4030*	3730*
2 Stage FFL	2215	1230	2825	3810	4090	6	10	4500	4000	3860	4410	4000	3740	4500	4310	4500	4180
	2515	1530	3425	4410	4690	6	10	4500	4000	3840	4390	4000	3720	4500	4290	4500	4170
3 Stage FFL	2215	1230	4145	5130	5415	6	6	4500	4000	3820	4370	4000	3700	4500	4270	4490	4150
	2515	1530	5000	5985	6265	6	6	4250*	3820*	3630*	4150**	3810**	3520**	4310*	4070*	4280*	3950*
	2615	1630	5300	6285	6565	6	6	4210**	3750**	3560**	4070**	3730**	3450**	4230*	3990*	4200*	3880*

<sup>(1)</sup> Without load backrest. <sup>(2)</sup> With load backrest. \* Wide Tread or Dual Drive Wheels Required. \*\* Dual Drive Wheels Required. Specification data based on standard carriage, load backrest, and 1000mm (GDP40VX5) / 1200mm (GDP 40VX6 - GDP 55VX) forks.

## GDP 50VX, GDP 55VX Mast details and capacity ratings (kg) - Pneumatic radial tyres

Model								GDP 50 VX				GDP 55 VX			
Tyre size, front								315/70 x R15				315/70-R15			
Overall width, front								1450mm				1450mm			
Mast	h <sub>1</sub> (mm)	h <sub>2+s</sub> (mm)	h <sub>3+s</sub> (mm)	h <sub>4</sub> (mm) <sup>(1)</sup>	h <sub>4</sub> (mm) <sup>(2)</sup>	Tilt		Forks		Integral Sideshift		Forks		Integral Sideshift	
								Load centre (kg)		Load centre (kg)		Load centre (kg)		Load centre (kg)	
						F	B	600	700	600	700	600	700	600	700
2 Stage LFL	2215	160	2800	3730	4065	6	10	5000	4810	5000	4670	5500	5280	5500	5130
	2515	160	3400	4330	4665	6	10	5000	4790	5000	4650	5500	5260	5500	5120
	2815	160	4000	4930	5265	6	10	5000	4780	5000	4640	5500	5250	5500	5100
	3265	160	4700	5630	5965	6	6	4880	4640	4870	4500	5380*	5110*	5370*	4960*
	3665	160	5300	6230	6565	6	6	4730*	4470*	4700*	4340*	5220*	4930*	5180*	4790*
	4065	160	5900	6830	7165	6	6	4570**	4300**	4510**	4170**	5050**	4750**	4990**	4610**
2 Stage FFL	2215	1230	2825	3810	4090	6	10	5000	4770	5000	4640	5500	5250	5500	5100
	2515	1530	3425	4410	4690	6	10	5000	4760	5000	4620	5500	5230	5500	5080
3 Stage FFL	2215	1230	4145	5130	5415	6	6	5000	4740	4990	4610	5500	5210	5490	5070
	2515	1530	5000	5985	6265	6	6	4800*	4530*	4760*	4400*	5290*	4990*	5260*	4860*
	2615	1630	5300	6285	6565	6	6	4730**	4450**	4680**	4330**	5210**	4910**	5170**	4780**

<sup>(1)</sup> Without load backrest. <sup>(2)</sup> With load backrest. \* Wide Tread or Dual Drive Wheels Required. \*\* Dual Drive Wheels Required. Specification data based on standard carriage, load backrest, and 1000mm (GDP40VX5) / 1200mm (GDP 40VX6 - GDP 55VX) forks.

# VDI 2198 – General Specifications, Diesel powered GDP 40VX5, GDP 40VX6, GDP 45SVX5

		GDP 40VX5					
Distinguishing mark	1.1	Manufacturer (abbreviation)	Yale	Yale	Yale	Yale	
	1.2	Manufacturer's type designation					
		Engine/Transmission	Kubota 3.8L Techtronix 100, 1-Speed	Kubota 3.8L Techtronix 200, 2-Speed	Kubota 3.8L Techtronix 200, 2-Speed	Kubota 3.8L Techtronix 100, 1-Speed	
		Model	Value	Value	Productivity	Value	
		Brake Type	Standard or Premium Oil-immersed	Standard or Premium Oil-immersed	Premium Oil-immersed	Standard or Premium Oil-immersed	
	1.3	Drive: electric (battery or mains), diesel, petrol, fuel gas	Diesel	Diesel	Diesel	Diesel	
	1.4	Operator type: hand, pedestrian, standing, seated, orderpicker	Seated	Seated	Seated	Seated	
	1.5	Rated capacity / rated load	Q (t)	4.0	4.0	4.0	4.0
	1.6	Load centre distance	c (mm)	500	500	500	600
1.8	Load distance, centre of drive axle to fork	x (mm)	523	523	523	523	
1.8.1	Load distance, centre of drive axle to fork (ISS Carriage)	x (mm)	555	555	555	555	
1.9	Wheelbase	y (mm)	1830	1830	1830	1830	
Weights	2.1	Service weight	kg	6264	6264	6264	6470
	2.2	Axle loading, laden front / rear	kg	8969 / 1295	8969 / 1295	8969 / 1295	9133 / 1337
	2.3	Axle loading, unladen front / rear	kg	2733 / 3531	2733 / 3531	2733 / 3531	2678 / 3792
Tyres/chassis	3.1	Tyres: P = pneumatic, V = cushion, SE = superelastic		SE	SE	SE	SE
	3.2	Tyre size, front		250 x 15	250 x 15	250 x 15	250 x 15
	3.3	Tyre size, rear		7.00 x 12	7.00 x 12	7.00 x 12	7.00 x 12
	3.5	Number of wheels, front/rear (x = driven wheels)		2x / 2	2x / 2	2x / 2	2x / 2
	3.6	Tread, front	b <sub>10</sub> (mm)	1152	1152	1152	1152
	3.7	Tread, rear	b <sub>11</sub> (mm)	1136	1136	1136	1136
	Dimensions	4.1	Tilt of mast/fork carriage, forward / backward	$\alpha / \beta$ (°)	6 / 10	6 / 10	6 / 10
4.2		Height, mast lowered	h <sub>1</sub> (mm)	2171	2171	2171	2171
4.3		Free lift ▲	h <sub>2</sub> (mm)	100	100	100	100
4.4		Lift ▲	h <sub>3</sub> (mm)	3000	3000	3000	3000
4.5		Height, mast extended +	h <sub>4</sub> (mm)	3815	3815	3815	3815
4.7		Height of overhead guard (cabin)	h <sub>6</sub> (mm)	2258	2258	2258	2258
4.8		Seat height relating to SIP/stand height ✕	h <sub>7</sub> (mm)	1279	1279	1279	1279
4.12		Coupling height	h <sub>10</sub> (mm)	429	429	429	429
4.19		Overall length	l <sub>1</sub> (mm)	3946	3946	3946	3977
4.20		Length to face of forks (Standard Carriage)	l <sub>2</sub> (mm)	2946	2946	2946	2977
4.20.1		Length to face of forks (Integrated Side Shift Carriage)	l <sub>2</sub> (mm)	2978	2978	2978	3009
4.21		Overall width □	b <sub>1</sub> (mm)	1402 / 1485 / 1773	1402 / 1485 / 1773	1402 / 1485 / 1773	1402 / 1485 / 1773
4.22		Fork dimensions ISO 2331	s/e/l (mm)	50 / 120 / 1000	50 / 120 / 1000	50 / 120 / 1000	50 / 120 / 1200
4.23		Fork carriage ISO 2328, class/type A, B		IIIA	IIIA	IIIA	IIIA
4.24		Fork carriage width (Standard Carriage) +	b <sub>3</sub> (mm)	1219	1219	1219	1219
4.24.1		Fork carriage width (ISS Carriage) +	b <sub>3</sub> (mm)	1219	1219	1219	1219
4.31		Ground clearance, laden, below mast	m <sub>1</sub> (mm)	151	151	151	151
4.32		Ground clearance, centre of wheelbase	m <sub>2</sub> (mm)	194	194	194	194
4.33		Load dimension b <sub>12</sub> x l <sub>6</sub> crossways	b <sub>12</sub> x l <sub>6</sub> (mm)	1200 x 1000	1200 x 1000	1200 x 1000	1200 x 1000
4.34		Aisle width predetermined load dimensions ○	A <sub>st</sub> (mm)	4293	4293	4293	4322
4.34.1		Aisle width with pallets 1000mm x 1200mm crossways ○	A <sub>st</sub> (mm)	4493	4493	4493	4522
4.34.2	Aisle width with pallets 800mm wide x 1200mm lengthways ○	A <sub>st</sub> (mm)	4493	4493	4493	4522	
4.35	Turning radius	W <sub>a</sub> (mm)	2570	2570	2570	2599	
4.36	Internal turning radius	b <sub>13</sub> (mm)	751	751	751	751	
4.41	90° intersecting aisle (with pallet W = 1200mm, L = 1000mm)	(mm)	2298	2298	2298	2314	
4.42	Step height (from ground to running board)	(mm)	801	801	801	801	
4.43	Step height (between intermediate steps between running board and floor)	(mm)	441	441	441	441	
Performance data	5.1	Travel speed laden/unladen	km/h	19.9 / 20.5	24.9 / 25.4	24.9 / 25.4	19.9 / 20.5
	5.1.1	Travel speed, laden/unladen, backwards	km/h	19.9 / 20.5	19.9 / 20.5	19.9 / 20.5	19.9 / 20.5
	5.2	Lift speed, laden/unladen	m/s	0.62 / 0.63	0.62 / 0.63	0.62 / 0.63	0.62 / 0.63
	5.3	Lowering speed, laden/unladen	m/s	0.55 / 0.47	0.55 / 0.47	0.55 / 0.47	0.55 / 0.47
	5.5	Drawbar pull, laden/unladen *	N	25676 / 15616	30744 / 15616	30744 / 15616	25636 / 15292
	5.7	Gradeability, laden/unladen **	N	26.9 / 27.2	32.8 / 27.2	32.8 / 27.2	26.3 / 25.7
	5.9	Acceleration time, laden/unladen ***	%	5 / 4.2	5.2 / 4.3	5.2 / 4.3	5.1 / 4.2
	5.10	Service brake	s	Hydraulic	Hydraulic	Hydraulic	Hydraulic
	7.5	Fuel consumption according to VDI cycle	l/h or kg/h	4.5	4.5	4.5	4.6
	8.1	Type of drive unit		Hydrodynamic	Hydrodynamic	Hydrodynamic	Hydrodynamic
Addition data	10.1	Operating pressure for attachments	bar	155	155	155	155
	10.2	Oil volume for attachments ◇	l/min	83.3	83.3	83.3	83.3
	10.3	Hydraulic oil tank, capacity	litres	51.0	51.0	51.0	51.0
	10.4	Fuel tank, capacity	litres	79.0	79.0	79.0	79.0
	10.7	Sound pressure level at the driver's seat ⇨ ★	dB(A)	79	79	79	79
	10.7.1	Sound power level during the workcycle ◆	dB(A)	99	99	99	99
	10.7.2	Guaranteed sound power 2000/14/EC	dB(A)	103	103	103	103
	10.8	Towing coupling, type DIN		Pin	Pin	Pin	Pin

▲ Top of forks.      + W/o load backrest, add 32mm with load backrest.      V.D.I. standard calculation as shown on illustration. The British Industrial Truck Association recommends the addition of 100 mm to the total clearance (dimension a) for extra operating margin

◆ Add 32mm with load backrest.      □ Standard/Wide/Dual.      ○ Stacking aisle width (lines 4.34 & 4.34.1 & 4.34.2) are based on the

✕ Full suspension seat in depressed position.

at the rear of the truck.      \* at 1.6km/h.      \*\* at 4.8km/h. Gradeability figures are provided comparison of tractive performance, but are not intended to endorse the operation of the vehicle on the stated inclines. Follow instructions in the operating manual regarding operation on inclines.

Yale	Yale	Yale	Yale	Yale		Manufacturer (abbreviation)	1.1	Distinguishing mark
<b>GDP 40VX6</b>			<b>GDP 45SVX5</b>			Manufacturer's type designation	1.2	
Kubota 3.8L Techtronix 200, 2-Speed Value	Kubota 3.8L Techtronix 200, 2-Speed Productivity	Kubota 3.8L Techtronix 100, 1-Speed Value	Kubota 3.8L Techtronix 200, 2-Speed Value	Kubota 3.8L Techtronix 200, 2-Speed Productivity		Engine/Transmission		
Standard or Premium Oil-immersed	Premium Oil-immersed	Standard or Premium Oil-immersed	Standard or Premium Oil-immersed	Premium Oil-immersed		Model		
Diesel	Diesel	Diesel	Diesel	Diesel		Brake Type		
Seated	Seated	Seated	Seated	Seated		Drive: electric (battery or mains), diesel, petrol, fuel gas	1.3	
4.0	4.0	4.5	4.5	4.5	Q (t)	Operator type: hand, pedestrian, standing, seated, orderpicker	1.4	
600	600	500	500	500	c (mm)	Rated capacity / rated load	1.5	
523	523	591	591	591	x (mm)	Load centre distance	1.6	
555	555	608	608	608	x (mm)	Load distance, centre of drive axle to fork	1.8	
1830	1830	1830	1830	1830	y (mm)	Load distance, centre of drive axle to fork (ISS Carriage)	1.8.1	
6470	6470	6826	6826	6826	kg	Wheelbase	1.9	
9133 / 1337	9133 / 1337	10114 / 1212	10114 / 1212	10114 / 1212	kg	Service weight	2.1	
2678 / 3792	2678 / 3792	2931 / 3895	2931 / 3895	2931 / 3895	kg	Axle loading, laden front / rear	2.2	
SE	SE	SE	SE	SE		Axle loading, unladen front / rear	2.3	
250 x 15	250 x 15	250 x 15	250 x 15	250 x 15		Tyres: P = pneumatic, V = cushion, SE = superelastic	3.1	
7.00 x 12	7.00 x 12	7.00 x 12	7.00 x 12	7.00 x 12		Tyre size, front	3.2	
2x / 2	2x / 2	2x / 2	2x / 2	2x / 2		Tyre size, rear	3.3	
1152	1152	1152	1152	1152	b <sub>10</sub> (mm)	Number of wheels, front/rear (x = driven wheels)	3.5	
1136	1136	1136	1136	1136	b <sub>11</sub> (mm)	Tread, front	3.6	
6 / 10	6 / 10	6 / 10	6 / 10	6 / 10	α / β (°)	Tread, rear	3.7	
2171	2171	2215	2215	2215	h <sub>1</sub> (mm)	Tilt of mast/fork carriage, forward / backward	4.1	
100	100	100	100	100	h <sub>2</sub> (mm)	Height, mast lowered	4.2	
3000	3000	2740	2740	2740	h <sub>3</sub> (mm)	Free lift ▲	4.3	
3815	3815	3730	3730	3730	h <sub>4</sub> (mm)	Lift ▲	4.4	
2258	2258	2258	2258	2258	h <sub>6</sub> (mm)	Height, mast extended +	4.5	
1279	1279	1279	1279	1279	h <sub>7</sub> (mm)	Height of overhead guard (cabin)	4.7	
429	429	429	429	429	h <sub>10</sub> (mm)	Seat height relating to SIP/stand height ✕	4.8	
3977	3977	4266	4266	4266	l <sub>1</sub> (mm)	Coupling height	4.12	
2977	2977	3066	3066	3066	l <sub>2</sub> (mm)	Overall length	4.19	
3009	3009	3083	3083	3083	l <sub>2</sub> (mm)	Length to face of forks (Standard Carriage)	4.20	
1402 / 1485 / 1773	1402 / 1485 / 1773	1402 / 1485 / 1773	1402 / 1485 / 1773	1402 / 1485 / 1773	b <sub>1</sub> (mm)	Length to face of forks (Integrated Side Shift Carriage)	4.20.1	
50 / 120 / 1200	50 / 120 / 1200	60 / 150 / 1200	60 / 150 / 1200	60 / 150 / 1200	s/e/l (mm)	Overall width □	4.21	
IIIA	IIIA	IVA	IVA	IVA		Fork dimensions ISO 2331	4.22	
1219	1219	1219	1219	1219	b <sub>3</sub> (mm)	Fork carriage ISO 2328, class/type A, B	4.23	
1219	1219	1219	1219	1219	b <sub>3</sub> (mm)	Fork carriage width (Standard Carriage) +	4.24	
151	151	151	151	151	m <sub>1</sub> (mm)	Fork carriage width (ISS Carriage) +	4.24.1	
194	194	194	194	194	m <sub>2</sub> (mm)	Ground clearance, laden, below mast	4.31	
1200 x 1000	1200 x 1000	1200 x 1000	1200 x 1000	1200 x 1000	b <sub>12 x l<sub>6</sub></sub>	Ground clearance, centre of wheelbase	4.32	
4322	4322	4342	4342	4342	(mm)	Load dimension b <sub>12</sub> x l <sub>6</sub> crossways	4.33	
4522	4522	4542	4542	4542	A <sub>st</sub> (mm)	Aisle width predetermined load dimensions ○	4.34	
4522	4522	4542	4542	4542	A <sub>st</sub> (mm)	Aisle width with pallets 1000mm x 1200mm crossways ○	4.34.1	
2599	2599	2619	2619	2619	A <sub>st</sub> (mm)	Aisle width with pallets 800mm wide x 1200mm lengthways ○	4.34.2	
751	751	751	751	751	W <sub>a</sub> (mm)	Turning radius	4.35	
2314	2314	2332	2332	2332	b <sub>13</sub> (mm)	Internal turning radius	4.36	
801	801	801	801	801	(mm)	90° intersecting aisle (with pallet W = 1200mm, L = 1000mm)	4.41	
441	441	441	441	441	(mm)	Step height (from ground to running board)	4.42	
24.9 / 25.3	24.9 / 25.3	19.8 / 20.4	24.6 / 25.3	24.6 / 25.3	(mm)	Step height (between intermediate steps between running board and floor)	4.43	
19.9 / 20.5	19.9 / 20.5	19.8 / 20.4	19.8 / 20.4	19.8 / 20.4	km/h	Travel speed laden/unladen	5.1	
0.62 / 0.63	0.62 / 0.63	0.45 / 0.46	0.45 / 0.46	0.45 / 0.46	km/h	Travel speed, laden/unladen, backwards	5.1.1	
0.55 / 0.47	0.55 / 0.47	0.51 / 0.42	0.51 / 0.42	0.51 / 0.42	m/s	Lift speed, laden/unladen	5.2	
30704 / 15292	30704 / 15292	25468 / 16781	30536 / 16781	30536 / 16781	m/s	Lowering speed, laden/unladen	5.3	
32 / 25.7	32 / 25.7	24.3 / 26.7	29.5 / 26.7	29.5 / 26.7	N	Drawbar pull, laden/unladen *	5.5	
5.2 / 4.4	5.2 / 4.4	5.3 / 4.3	5.3 / 4.5	5.3 / 4.5	N	Gradeability, laden/unladen **	5.7	
Hydraulic	Hydraulic	Hydraulic	Hydraulic	Hydraulic	%	Acceleration time, laden/unladen ***	5.9	
4.7	4.7	4.9	5.1	5.1	s	Service brake	5.10	
Hydrodynamic	Hydrodynamic	Hydrodynamic	Hydrodynamic	Hydrodynamic	l/h or kg/h	Fuel consumption according to VDI cycle	7.5	
155	155	155	155	155		Type of drive unit	8.1	
83.3	83.3	83.3	83.3	83.3	bar	Operating pressure for attachments	10.1	
51.0	51.0	51.0	51.0	51.0	l/min	Oil volume for attachments ◇	10.2	
79.0	79.0	79.0	79.0	79.0	litres	Hydraulic oil tank, capacity	10.3	
79	79	79	79	79	litres	Fuel tank, capacity	10.4	
99	99	99	99	99	dB(A)	Sound pressure level at the driver's seat ⇔ ★	10.7	
103	103	103	103	103	dB(A)	Sound power level during the workcycle ◆	10.7.1	
Pin	Pin	Pin	Pin	Pin	dB(A)	Guaranteed sound power 2000/14/EC	10.7.2	
						Towing coupling, type DIN	10.8	

\*\*\*to 15m (per VDI 2198 December 2012).

◇ Variable.

⇔With and without cab.

★ Lpaz, Measured according to the test

cycles and based on the weighting values contained in EN12053.

◆ LWAZ, measured according to the test cycles and based on the weighting values contained in EN12053.

**Specification truck based on:** 3050mm (GDP40 VX5-GDP40 VX6) / 2800mm (GDP45S VX5 - GDP55 VX) top of forks 2 stage LFL mast with standard carriage, 1000mm (GDP40 VX5) / 1200mm (GDP40

VX6 - GDP55 VX) forks with e-hydraulics.

**All values are nominal values and they are subject to tolerances. For further information, please contact the manufacturer. Yale products might be**

**subject to change without notice. Lift trucks illustrated may feature optional equipment. Values may vary with alternative configurations.**

# VDI 2198 – General Specifications, Diesel powered GDP 45VX6, GDP 50VX, GDP 55VX

		GDP 45VX6					
		Yale	Yale	Yale	Yale		
<b>Distinguishing mark</b>	1.1	Manufacturer (abbreviation)	Yale	Yale	Yale	Yale	
	1.2	Manufacturer's type designation	<b>GDP 45VX6</b>				
		Engine/Transmission	Kubota 3.8L Techtronix 100, 1-Speed	Kubota 3.8L Techtronix 200, 2-Speed	Kubota 3.8L Techtronix 200, 2-Speed	Kubota 3.8L Techtronix 100, 1-Speed	
		Model	Value	Value	Productivity	Value	
		Brake Type	Premium Oil-immersed	Premium Oil-immersed	Premium Oil-immersed	Premium Oil-immersed	
	1.3	Drive: electric (battery or mains), diesel, petrol, fuel gas	Diesel	Diesel	Diesel	Diesel	
	1.4	Operator type: hand, pedestrian, standing, seated, orderpicker	Seated	Seated	Seated	Seated	
	1.5	Rated capacity / rated load	Q (t)	4.5	4.5	4.5	5.0
	1.6	Load centre distance	c (mm)	600	600	600	600
1.8	Load distance, centre of drive axle to fork	x (mm)	591	591	591	591	
1.8.1	Load distance, centre of drive axle to fork (ISS Carriage)	x (mm)	608	608	608	608	
1.9	Wheelbase	y (mm)	2100	2100	2100	2100	
<b>Weights</b>	2.1	Service weight	kg	7225	7225	7225	7520
	2.2	Axle loading, laden front / rear	kg	10323 / 1402	10323 / 1402	10323 / 1402	11041 / 1478
	2.3	Axle loading, unladen front / rear	kg	3271 / 3954	3271 / 3954	3271 / 3954	3206 / 4314
<b>Tyres/chassis</b>	3.1	Tyres: P = pneumatic, V = cushion, SE = superelastic		SE	SE	SE	SE
	3.2	Tyre size, front		300x15	300 x 15	300 x 15	300 x 15
	3.3	Tyre size, rear		28 x 9-15	28 x 9-15	28 x 9-15	28 x 9-15
	3.5	Number of wheels, front/rear (x = driven wheels)		2x / 2	2x / 2	2x / 2	2x / 2
	3.6	Tread, front	b <sub>10</sub> (mm)	1150	1150	1150	1150
	3.7	Tread, rear	b <sub>11</sub> (mm)	1162	1162	1162	1162
	<b>Dimensions</b>	4.1	Tilt of mast/fork carriage, forward / backward	$\alpha / \beta$ (°)	6 / 10	6 / 10	6 / 10
4.2		Height, mast lowered	h <sub>1</sub> (mm)	2215	2215	2215	2215
4.3		Free lift ▲	h <sub>2</sub> (mm)	100	100	100	100
4.4		Lift ▲	h <sub>3</sub> (mm)	2740	2740	2740	2740
4.5		Height, mast extended +	h <sub>4</sub> (mm)	3730	3730	3730	3730
4.7		Height of overhead guard (cabin)	h <sub>6</sub> (mm)	2300	2300	2300	2300
4.8		Seat height relating to SIP/stand height ✕	h <sub>7</sub> (mm)	1321	1321	1321	1321
4.12		Coupling height	h <sub>10</sub> (mm)	429	429	429	429
4.19		Overall length	l <sub>1</sub> (mm)	4457	4457	4457	4500
4.20		Length to face of forks (Standard Carriage)	l <sub>2</sub> (mm)	3257	3257	3257	3300
4.20.1		Length to face of forks (Integrated Side Shift Carriage)	l <sub>2</sub> (mm)	3274	3274	3274	3317
4.21		Overall width □	b <sub>1</sub> (mm)	1450 / 1575 / 1875	1450 / 1575 / 1875	1450 / 1575 / 1875	1450 / 1575 / 1875
4.22		Fork dimensions ISO 2331	s/e/l (mm)	60 / 150 / 1200	60 / 150 / 1200	60 / 150 / 1200	60 / 150 / 1200
4.23		Fork carriage ISO 2328, class/type A, B		IVA	IVA	IVA	IVA
4.24		Fork carriage width (Standard Carriage) +	b <sub>3</sub> (mm)	1219	1219	1219	1219
4.24.1		Fork carriage width (ISS Carriage) +	b <sub>3</sub> (mm)	1372	1372	1372	1372
4.31		Ground clearance, laden, below mast	m <sub>1</sub> (mm)	194	194	194	194
4.32		Ground clearance, centre of wheelbase	m <sub>2</sub> (mm)	237	237	237	237
4.33		Load dimension b <sub>12</sub> x l <sub>6</sub> crossways	b <sub>12</sub> x l <sub>6</sub> (mm)	1200 x 1000	1200 x 1000	1200 x 1000	1200 x 1000
4.34		Aisle width predetermined load dimensions ○	A <sub>st</sub> (mm)	4628	4628	4628	4668
4.34.1	Aisle width with pallets 1000mm x 1200mm crossways ○	A <sub>st</sub> (mm)	4828	4828	4828	4868	
4.34.2	Aisle width with pallets 800mm wide x 1200mm lengthways ○	A <sub>st</sub> (mm)	4828	4828	4828	4868	
4.35	Turning radius	W <sub>a</sub> (mm)	2837	2837	2837	2877	
4.36	Internal turning radius	b <sub>13</sub> (mm)	800	800	800	800	
4.41	90° intersecting aisle (with pallet W = 1200mm, L = 1000mm)	(mm)	2447	2447	2447	2469	
4.42	Step height (from ground to running board)	(mm)	844	844	844	844	
4.43	Step height (between intermediate steps between running board and floor)	(mm)	484	484	484	484	
<b>Performance data</b>	5.1	Travel speed laden/unladen	km/h	18.7 / 19.2	23.2 / 23.9	23.2 / 23.9	18.7 / 19.2
	5.1.1	Travel speed, laden/unladen, backwards	km/h	18.7 / 19.2	18.7 / 19.2	18.7 / 19.2	18.7 / 19.2
	5.2	Lift speed, laden/unladen	m/s	0.45 / 0.46	0.45 / 0.46	0.45 / 0.46	0.45 / 0.46
	5.3	Lowering speed, laden/unladen	m/s	0.51 / 0.42	0.51 / 0.42	0.51 / 0.42	0.51 / 0.42
	5.5	Drawbar pull, laden/unladen *	N	27516 / 18782	32917 / 18782	32917 / 18782	27458 / 18399
	5.7	Gradeability, laden/unladen **	N	24 / 28.3	29.1 / 28.3	29.1 / 28.3	23.3 / 26.5
	5.9	Acceleration time, laden/unladen ***	%	5.4 / 4.5	5.5 / 4.7	5.5 / 4.7	5.4 / 4.5
	5.10	Service brake	s	Hydraulic	Hydraulic	Hydraulic	Hydraulic
	7.5	Fuel consumption according to VDI cycle	l/h or kg/h	5.1	5.3	5.3	5.4
	8.1	Type of drive unit		Hydrodynamic	Hydrodynamic	Hydrodynamic	Hydrodynamic
<b>Addition data</b>	10.1	Operating pressure for attachments	bar	155	155	155	155
	10.2	Oil volume for attachments ◇	l/min	83.3	83.3	83.3	83.3
	10.3	Hydraulic oil tank, capacity	litres	67.8	67.8	67.8	67.8
	10.4	Fuel tank, capacity	litres	100.3	100.3	100.3	100.3
	10.7	Sound pressure level at the driver's seat ⇨ ★	dB(A)	79	79	79	79
	10.7.1	Sound power level during the workcycle ◆	dB(A)	99	99	99	99
	10.7.2	Guaranteed sound power 2000/14/EC	dB(A)	103	103	103	103
	10.8	Towing coupling, type DIN		Pin	Pin	Pin	Pin

▲ Top of forks.      + W/o load backrest, add 32mm with load backrest.      V.D.I. standard calculation as shown on illustration. The British Industrial Truck Association recommends the addition of 100 mm to the total clearance (dimension a) for extra operating margin

◆ Add 32mm with load backrest.      □ Standard/Wide/Dual.      ○ Stacking aisle width (lines 4.34 & 4.34.1 & 4.34.2) are based on the

✕ Full suspension seat in depressed position.

at the rear of the truck.      \* at 1.6km/h.      \*\* at 4.8km/h. Gradeability figures are provided comparison of tractive performance, but are not intended to endorse the operation of the vehicle on the stated inclines. Follow instructions in the operating manual regarding operation on inclines.



Yale	Yale	Yale	Yale	Yale		Manufacturer (abbreviation)	1.1	Distinguishing mark
GDP 50VX			GDP 55VX			Manufacturer's type designation	1.2	
Kubota 3.8L Techtronix 200, 2-Speed	Kubota 3.8L Techtronix 200, 2-Speed	Kubota 3.8L Techtronix 100, 1-Speed	Kubota 3.8L Techtronix 200, 2-Speed	Kubota 3.8L Techtronix 200, 2-Speed		Engine/Transmission		
Value	Productivity	Value	Value	Productivity		Model		
Premium Oil-immersed	Premium Oil-immersed	Premium Oil-immersed	Premium Oil-immersed	Premium Oil-immersed		Brake Type		
Diesel	Diesel	Diesel	Diesel	Diesel		Drive: electric (battery or mains), diesel, petrol, fuel gas	1.3	
Seated	Seated	Seated	Seated	Seated		Operator type: hand, pedestrian, standing, seated, orderpicker	1.4	
5.0	5.0	5.5	5.5	5.5	Q (t)	Rated capacity / rated load	1.5	
600	600	600	600	600	c (mm)	Load centre distance	1.6	
591	591	591	591	591	x (mm)	Load distance, centre of drive axle to fork	1.8	
608	608	608	608	608	x (mm)	Load distance, centre of drive axle to fork (ISS Carriage)	1.8.1	
2100	2100	2100	2100	2100	y (mm)	Wheelbase	1.9	
7520	7520	7811	7811	7811	kg	Service weight	2.1	
11041 / 1478	11041 / 1478	11754 / 1558	11754 / 1558	11754 / 1558	kg	Axle loading, laden front / rear	2.2	
3206 / 4314	3206 / 4314	3134 / 4677	3134 / 4677	3134 / 4677	kg	Axle loading, unladen front / rear	2.3	
SE	SE	SE	SE	SE		Tyres: P = pneumatic, V = cushion, SE = superelastic	3.1	
300 x 15	300 x 15	300 x 15	300 x 15	300 x 15		Tyre size, front	3.2	
28 x 9-15	28 x 9-15	28 x 9-15	28 x 9-15	28 x 9-15		Tyre size, rear	3.3	
2x / 2	2x / 2	2x / 2	2x / 2	2x / 2		Number of wheels, front/rear (x = driven wheels)	3.5	
1150	1150	1150	1150	1150	b <sub>10</sub> (mm)	Tread, front	3.6	
1162	1162	1162	1162	1162	b <sub>11</sub> (mm)	Tread, rear	3.7	
6 / 10	6 / 10	6 / 10	6 / 10	6 / 10	α / β (°)	Tilt of mast/fork carriage, forward / backward	4.1	
2215	2215	2215	2215	2215	h <sub>1</sub> (mm)	Height, mast lowered	4.2	
100	100	100	100	100	h <sub>2</sub> (mm)	Free lift ▲	4.3	
2740	2740	2740	2740	2740	h <sub>3</sub> (mm)	Lift ▲	4.4	
3730	3730	3730	3730	3730	h <sub>4</sub> (mm)	Height, mast extended +	4.5	
2300	2300	2300	2300	2300	h <sub>6</sub> (mm)	Height of overhead guard (cabin)	4.7	
1321	1321	1321	1321	1321	h <sub>7</sub> (mm)	Seat height relating to SIP/stand height ✕	4.8	
429	429	429	429	429	h <sub>10</sub> (mm)	Coupling height	4.12	
4500	4500	4541	4541	4541	l <sub>1</sub> (mm)	Overall length	4.19	
3300	3300	3341	3341	3341	l <sub>2</sub> (mm)	Length to face of forks (Standard Carriage)	4.20	
3317	3317	3358	3358	3358	l <sub>2</sub> (mm)	Length to face of forks (Integrated Side Shift Carriage)	4.20.1	
1450 / 1575 / 1875	1450 / 1575 / 1875	1450 / 1575 / 1875	1450 / 1575 / 1875	1450 / 1575 / 1875	b <sub>1</sub> (mm)	Overall width □	4.21	
60 / 150 / 1200	60 / 150 / 1200	60 / 150 / 1200	60 / 150 / 1200	60 / 150 / 1200	s/e/l (mm)	Fork dimensions ISO 2331	4.22	
IVA	IVA	IVA	IVA	IVA		Fork carriage ISO 2328, class/type A, B	4.23	
1219	1219	1219	1219	1219	b <sub>3</sub> (mm)	Fork carriage width (Standard Carriage) +	4.24	
1372	1372	1372	1372	1372	b <sub>3</sub> (mm)	Fork carriage width (ISS Carriage) +	4.24.1	
194	194	194	194	194	m <sub>1</sub> (mm)	Ground clearance, laden, below mast	4.31	
237	237	237	237	237	m <sub>2</sub> (mm)	Ground clearance, centre of wheelbase	4.32	
1200 x 1000	1200 x 1000	1200 x 1000	1200 x 1000	1200 x 1000	b <sub>12</sub> x l <sub>6</sub> (mm)	Load dimension b <sub>12</sub> x l <sub>6</sub> crossways	4.33	
4668	4668	4706	4706	4706	A <sub>st</sub> (mm)	Aisle width predetermined load dimensions ○	4.34	
4868	4868	4906	4906	4906	A <sub>st</sub> (mm)	Aisle width with pallets 1000mm x 1200mm crossways ○	4.34.1	
4868	4868	4906	4906	4906	A <sub>st</sub> (mm)	Aisle width with pallets 800mm wide x 1200mm lengthways ○	4.34.2	
2877	2877	2915	2915	2915	W <sub>a</sub> (mm)	Turning radius	4.35	
800	800	800	800	800	b <sub>13</sub> (mm)	Internal turning radius	4.36	
2469	2469	2490	2490	2490	(mm)	90° intersecting aisle (with pallet W = 1200mm, L = 1000mm)	4.41	
844	844	844	844	844	(mm)	Step height (from ground to running board)	4.42	
484	484	484	484	484	(mm)	Step height (between intermediate steps between running board and floor)	4.43	
23.2 / 23.9	23.2 / 23.9	18.6 / 19.2	22.9 / 23.9	22.9 / 23.9	km/h	Travel speed laden/unladen	5.1	
18.7 / 19.2	18.7 / 19.2	18.6 / 19.2	18.6 / 19.2	18.6 / 19.2	km/h	Travel speed, laden/unladen, backwards	5.1.1	
0.45 / 0.46	0.45 / 0.46	0.45 / 0.46	0.45 / 0.46	0.45 / 0.46	m/s	Lift speed, laden/unladen	5.2	
0.51 / 0.42	0.51 / 0.42	0.51 / 0.42	0.51 / 0.42	0.51 / 0.42	m/s	Lowering speed, laden/unladen	5.3	
32859 / 18399	32859 / 18399	27302 / 17976	32703 / 17976	32703 / 17976	N	Drawbar pull, laden/unladen *	5.5	
28.3 / 26.5	28.3 / 26.5	21.7 / 24.8	26.3 / 24.8	26.3 / 24.8	N	Gradeability, laden/unladen **	5.7	
5.5 / 4.6	5.5 / 4.6	5.6 / 4.5	5.6 / 4.7	5.6 / 4.7	%	Acceleration time, laden/unladen ***	5.9	
Hydraulic	Hydraulic	Hydraulic	Hydraulic	Hydraulic	s	Service brake	5.10	
5.8	5.8	5.8	6.2	6.2	l/h or	Fuel consumption according to VDI cycle	7.5	
Hydrodynamic	Hydrodynamic	Hydrodynamic	Hydrodynamic	Hydrodynamic	kg/h	Type of drive unit	8.1	
155	155	155	155	155		Operating pressure for attachments	10.1	
83.3	83.3	83.3	83.3	83.3	bar	Oil volume for attachments ◇	10.2	
67.8	67.8	67.8	67.8	67.8	l/min	Hydraulic oil tank, capacity	10.3	
100.3	100.3	100.3	100.3	100.3	litres	Fuel tank, capacity	10.4	
79	79	79	79	79	litres	Sound pressure level at the driver's seat ⇔ ★	10.7	
99	99	99	99	99	dB(A)	Sound power level during the workcycle ◆	10.7.1	
103	103	103	103	103	dB(A)	Guaranteed sound power 2000/14/EC	10.7.2	
Pin	Pin	Pin	Pin	Pin	dB(A)	Towing coupling, type DIN	10.8	

\*\*\*to 15m (per VDI 2198 December 2012).

◇ Variable.

⇔With and without cab.

★ Lpaz, Measured according to the test

cycles and based on the weighting values contained in EN12053.

◆ LWAZ, measured according to the test cycles and based on the weighting values contained in EN12053.

**Specification truck based on:** 3050mm (GDP40 VX5-GDP40 VX6) / 2800mm (GDP45S VX5 - GDP55 VX) top of forks 2 stage LFL mast with standard carriage, 1000mm (GDP40 VX5) / 1200mm (GDP40

VX6 - GDP55 VX) forks with e-hydraulics.

**All values are nominal values and they are subject to tolerances. For further information, please contact the manufacturer. Yale products might be**

**subject to change without notice. Lift trucks illustrated may feature optional equipment. Values may vary with alternative configurations.**

# VX series

Models: GDP 40VX5, 40VX6, 45SVX5, 45VX6, 50VX, 55VX

## Yale Veracitor VX Series

This series of trucks is available in two configurations:-

**Value** - excellent performance, lowest hourly operating cost.

**Productivity** - maximum performance utilising state-of-the-art features.

## Diesel Engines

Yale VX40-55 Value and Productivity models feature the electronically controlled Kubota V3800 E4 turbocharged diesel engine, delivering 55kW at 2200 rpm.

**Stage V compliance:** To comply with Stage V regulations all trucks will be fitted with a catalytic convertor to treat the engine exhaust and bring it within the legal requirements.

The change to stage V engines does not adversely affect the truck performance or productivity and acceleration and lifting/lowering speeds remain unchanged.

## Load Sensing Hydraulics (LSH)

AccuTouch electrohydraulic controls (LSH)\* deliver increased efficiency. The engine supplies power to the variable displacement hydraulic pumps only when required.

LSH has an ECO-eLo (Fuel Efficiency) mode, the truck operates in it's economical power range. Faster work rate or higher productivity is available via HiP (High Performance) mode.

*(\*Load Sensing Hydraulics is available on trucks with AccuTouch mini-levers, ECO-eLo function is available on trucks with Techtronix transmissions only).*

## Transmission

Two transmission selections are available with multiple engine configurations for a wide variety of material handling applications. A single pedal controls both inching and braking.

**The Techtronix 100** features electronic inching, Auto Deceleration System (ADS) through the controlled application of clutch packs to slow the truck down without the need to apply the foot brake. Controlled Power Reversal (CPR) reduces tyre spin by precisely regulating engine speed during full power reversal situations and Controlled Roll-Back (CRB) limits roll-back on gradients to 75mm per second.

**The Techtronix 200** has all the Techtronix 100 features, plus Two Speed Auto Shift (2 x forward, 1 x reverse).

The Techtronix transmissions are available with Auto-speed Hydraulics, which automatically increases engine speed on activation of the hydraulics, eliminating the need for inching when lifting the load.

## Cooling System

The cooling system employs a pushertype fan, water pump and high capacity, crossflow radiator to ensure rapid heat dissipation.

## Drive Axle

Able to withstand heavy duty applications and absorb shock loads with increased resistance to torsion stress, isolated from the transmission by heavy-duty rubber mounting.

## Brakes

The Standard oil-immersed brake axle is a self-contained unit with its own oil supply, whereas the Premium oil-immersed brake axle features an additional oil supply routed through the Combi-Cooler. The Premium oil-immersed brakes axle should be specified into multiple shift operations, or where the brakes are in constant use. The Standard oil-immersed brake axle is not available on long wheelbase models.

## Hydraulic Power Steering

Responsive control, eliminating mechanical linkages for reduced surface shock and maintenance. Centred, textured steering wheel has a spinner knob with four turns lock-to-lock. Steer cylinder is located within the the steer axle for protection.

## Steer Axle

Constructed from cast steel, the steer axle is rubber shock mounted to the frame for reduced wear and vibration.

## Continuous Stability Enhancement (CSE)

The CSE system enhances lateral truck stability through reduced steer axle articulation, while simultaneously allowing uncompromised uneven surface travel.

## Operator's Compartment

All trucks are available with a mini-lever armrest, which features a contoured design, and - in addition to the hydraulic functions - features a horn and direction switch, ensuring that all key truck functions are within constant, easy reach. The Full Suspension Seat together with the isolated powertrain provide best in class Whole-Body



Vibration levels of 0.6m/s<sup>2</sup>, ensuring that the operator remains comfortable throughout the shift and minimising the operator exposure to vibration over the shift. Automotive-style pedal arrangement with a large, single inch/ brake pedal is standard.

A full range of cabs including heating and air conditioning are available.

## Intellix Vehicle System Management (VSM)

Provides extensive monitoring and control of functions and systems. CAN bus wiring, sealed connectors and Hall effect sensors reduces complexity for truck system communication.

## Hydraulic System

Incorporates a gear type pump with a cast iron body and protection from overloads via a lift circuit relief valve with a secondary valve for tilt and auxiliary functions. Oil is double filtered.

AccuTouch minilevers have an emergency lowering valve to allow lowering in the event of power loss.



# VX series

Models: GDP 40VX5, 40VX6, 45SVX5, 45VX6, 50VX, 55VX



## HYSTER-YALE UK LIMITED

trading as **Yale Europe Materials Handling**  
Centennial House, Frimley Business Park,  
Frimley, Surrey GU16 7SG, United Kingdom.


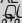
Tel: +44 (0) 1276 538500  
Fax: +44 (0) 1276 538559

[www.yale-forklifts.eu](http://www.yale-forklifts.eu)



Publication part no. 220990320 Rev.13 Printed in The Netherlands (0619HG) EN.

**Safety:** This truck conforms to the current EU requirements. Specification is subject to change without notice.

Yale, VERACITOR and  are registered trademarks. "PEOPLE, PRODUCTS, PRODUCTIVITY", PREMIER, Hi-Vis, and CSS are trademarks in the United States and certain other jurisdictions. MATERIALS HANDLING CENTRAL and MATERIAL HANDLING CENTRAL are Service Marks in the United States and certain other jurisdictions.  is a Registered Copyright.

© Yale Europe Materials Handling 2019. All rights reserved. Truck shown with optional equipment.  
Country of Registration: England and Wales. Company Registration Number: 02636775